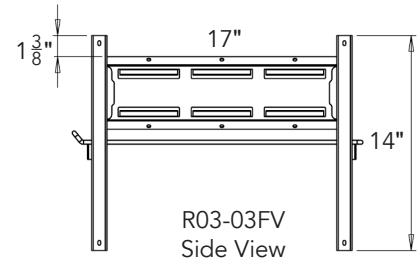
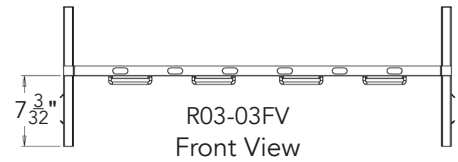
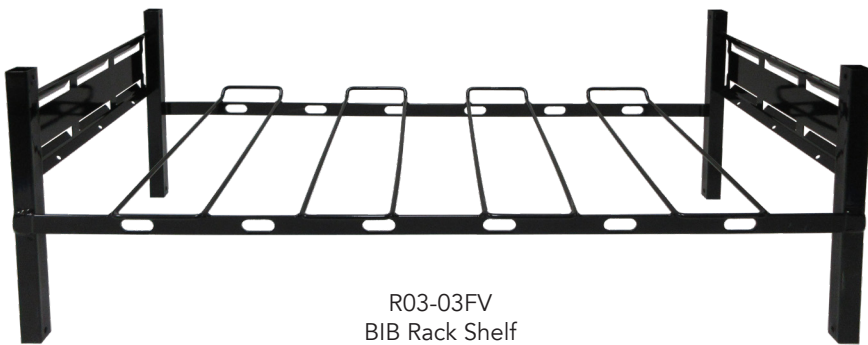
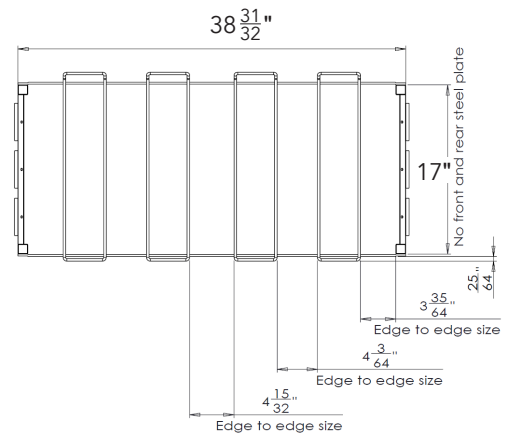


# Bag-In-Box Flat Rack 3 Box 39" Wide



## Features

- Glide panels on shelves make pump installation and pump replacement easy.
- Hose management holes in the shelf's front and rear rail prevent tube kinking that restricts syrup flow and makes BIB pumps work harder. Each oval hole accomodates two 3/8" BIB tubes.
- 4" shelf leg connectors (part # 50-0002-00 sold separately) provide stability for stacked shelves.
- NSF approved.



DISPENSING *Refreshing* RESULTS