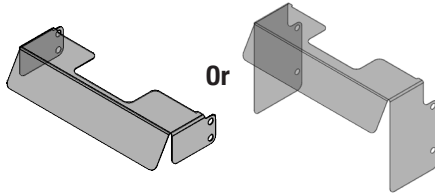


Installation

Kit Contents



Alcohol Wipes

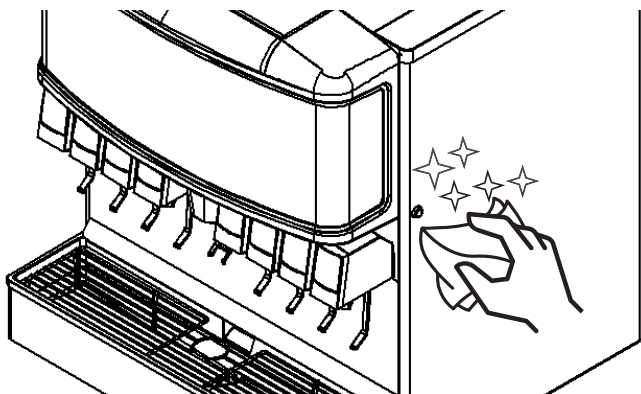


Without Side Guards

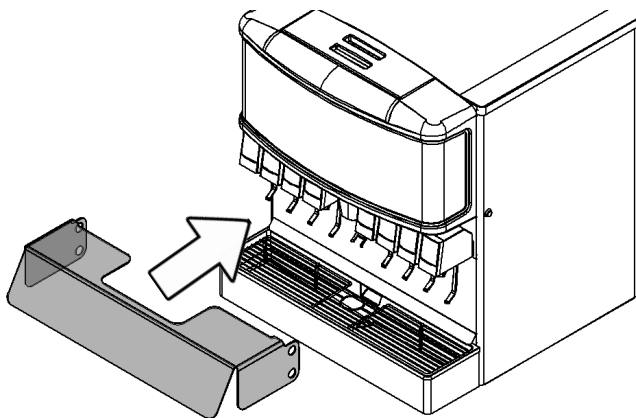
With Side Guards

Valve Guard
(Identical Installation Steps)

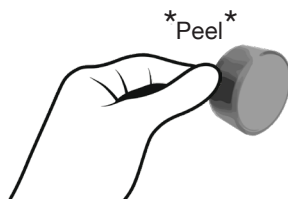
1. Clean sides where buttons will be placed with supplied alcohol wipes.



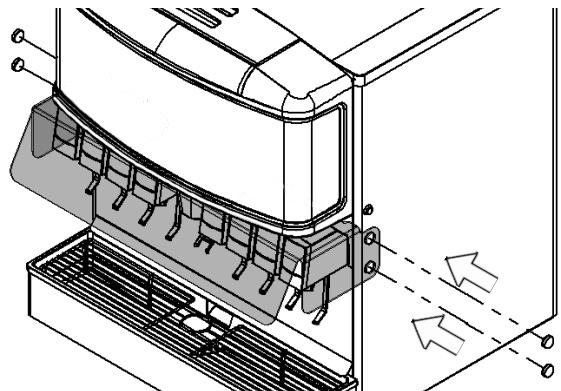
2. Slide valve guard over valves - level guard.



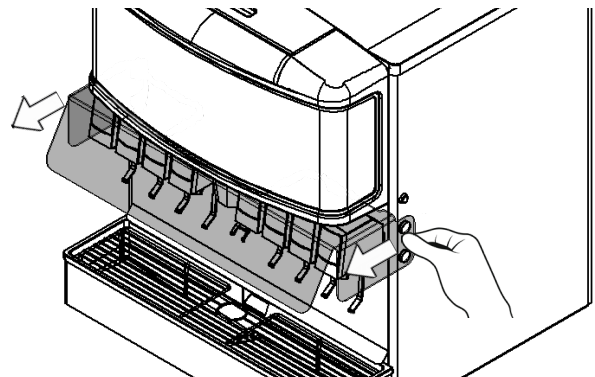
3. Peel adhesive tape backing from buttons.



4. Insert adhesive backed button in valve guard hole - repeat for all four holes.



5. To remove, pry side of guard to clear buttons and pull.



6. Clean valve guard using a plastic cleaner or mild detergent and water with a soft cloth. IPA, Hydrogen Peroxide, Bleach, and Acetic Acid up to 10% can all be safely used with L-Guard® products.
7. To reinstall, slide valve guard over valves and align holes with buttons to engage and secure.

