



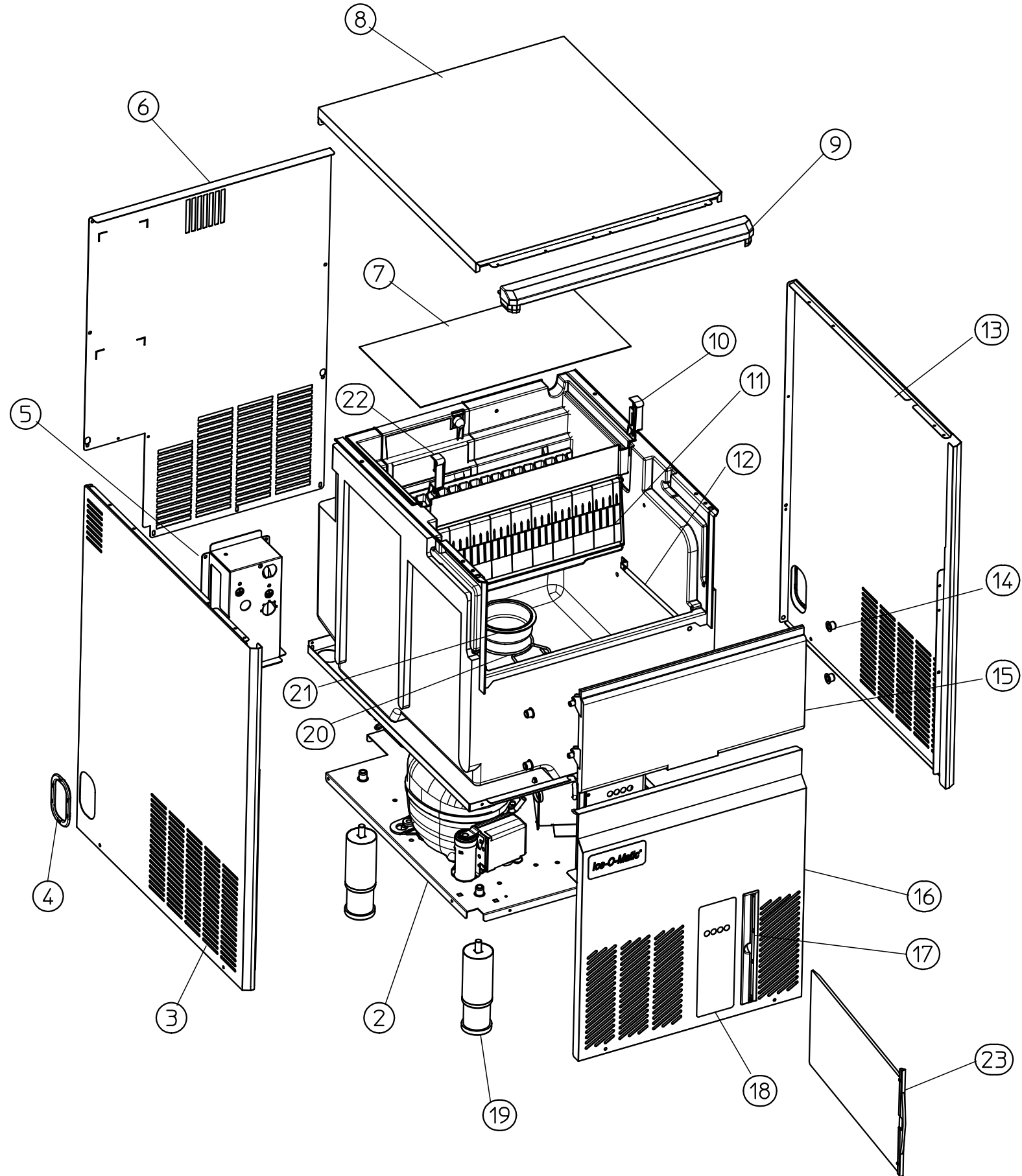
UCG 60

SPARE PARTS LIST

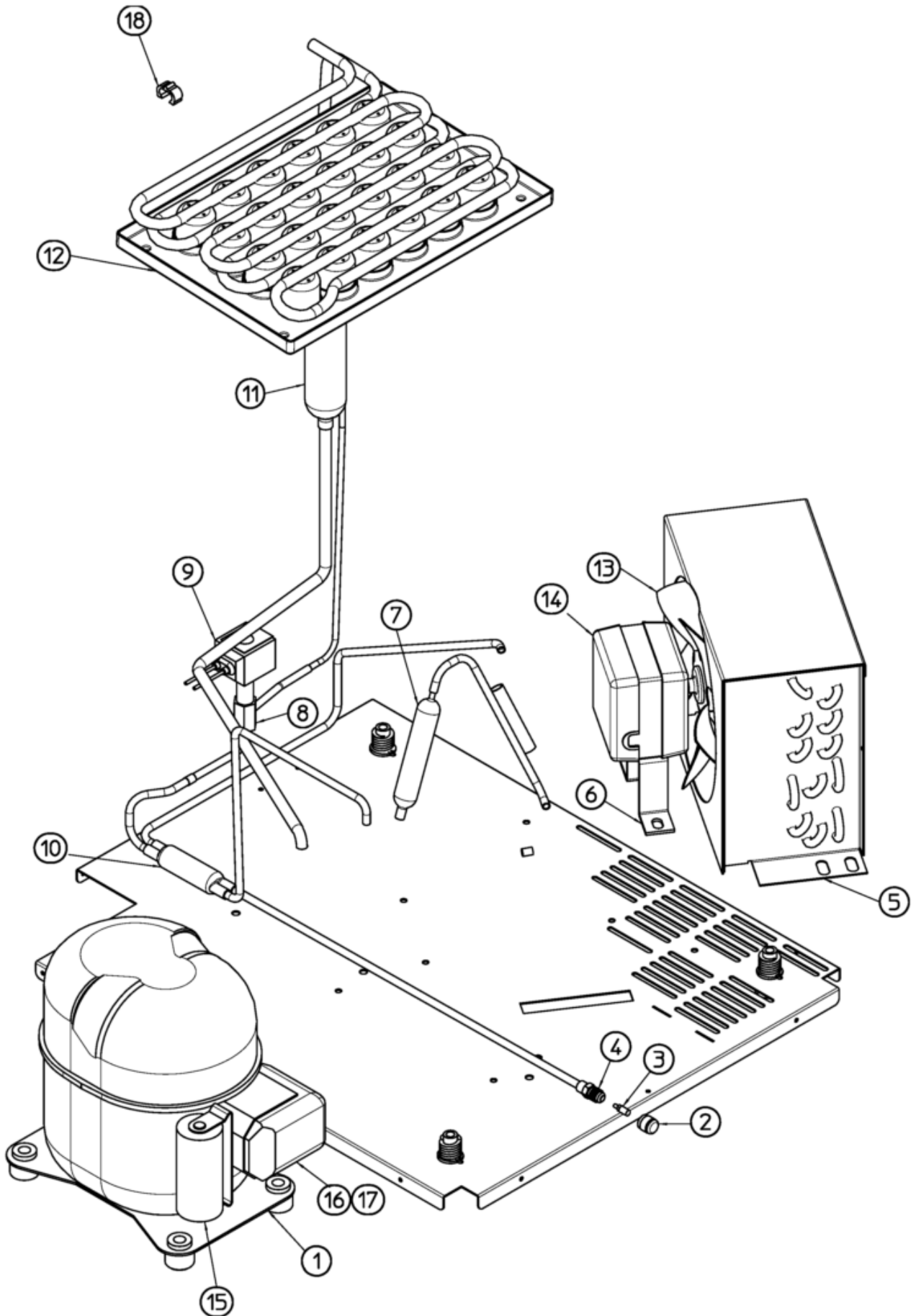
REV. 06/2021

Ice. Pure and Simple

- 1 UNIT PANELS
- 2 REFRIGERANT SYSTEM – AIR COOLED
- 3 WATER SYSTEM
- 4 CONTROL BOX



Pos	Code	Description	Price (€)
0002	SC704420-00	BASE	
0003	SC726035-00	LEFT SIDE PANEL	
0004	SC661070-00	PLASTIC PROTECTION	
0005	SC702705-00	WATER HOOK UP PANEL	
0006	SC702674-00	REAR PANEL	
0007	SC742033-04	EVAPORATOR COVER	
0008	SC781594-00R	TOP PANEL	
0009	SC661252-01	FRONT TRIM	
0010	SC660388-00	CURTAIN BRACKET (RIGHT)	
0011	SC784457-20R	CURTAIN ASSY	
0012	SC620565-01	BIN LEVEL CRTL	
0013	SC726034-00	RIGHT SIDE PANEL	
0014	SC660286-00	BUSHING	
0015	SC661220-02	BIN DOOR	
0016	SC726032-00	FRONT PANEL	
0017	SC660804-03	AIR FILTER SEAT	
0018	SC651743-00	LABEL	
0019	SC651469-02	LEG	
0020	SC460047-00	SPRING	
0021	SC660741-00	PLASTIC PLUG	
0022	SC660388-01	CURTAIN BRACKET (LEFT)	
0023	SC660805-04	AIR FILTER	

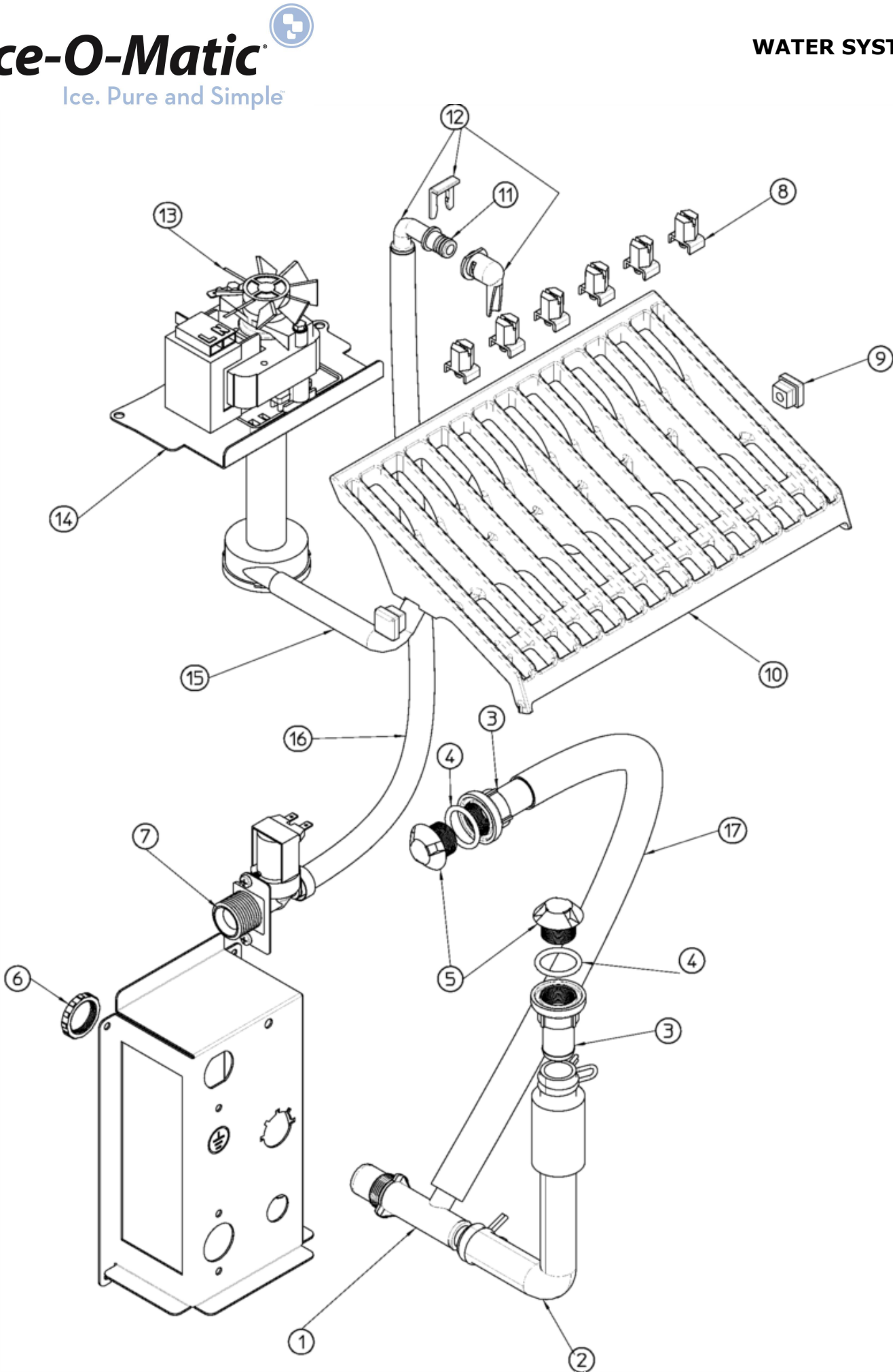


Pos	Code	Description	Price (€)
0001	SC670109-04	COMPRESSOR	
0002	SC650106-00	CAP	
0003	SC670012-00	VALVE CORE	
0004	SC650109-00	VALVE BODY	
0005	SC620544-00	CONDENSER, AIR	
0006	SC620419-69	BRACKET, MOTOR	
0007	SC630003-11	FILTER	
0008	SC620306-27	HOT GAS VALVE BODY	
0009	SC620306-49	COIL	
0010	SC630137-00	MECHANICAL FILTER	
0011	SC784444-34	ASSY ACCUMULATORE	
0012	SC784615-01	EVAPORATOR ASSY	
0013	SC620419-39	BLADE	
0014	SC620419-03	FAN MOTOR ATEX	
0015	SCCUB-103133	START CAPACITOR	
0016	SCCUB-102202	PROTECTOR	
0017	SCCUB-405179	RELAY	
0018	SC660386-00	SPRING	

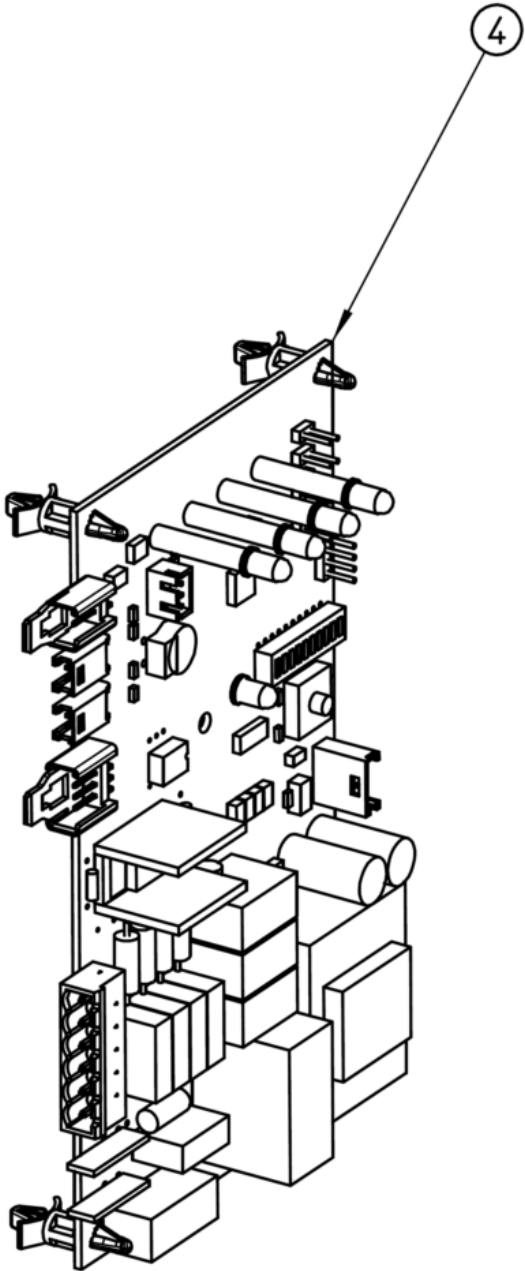
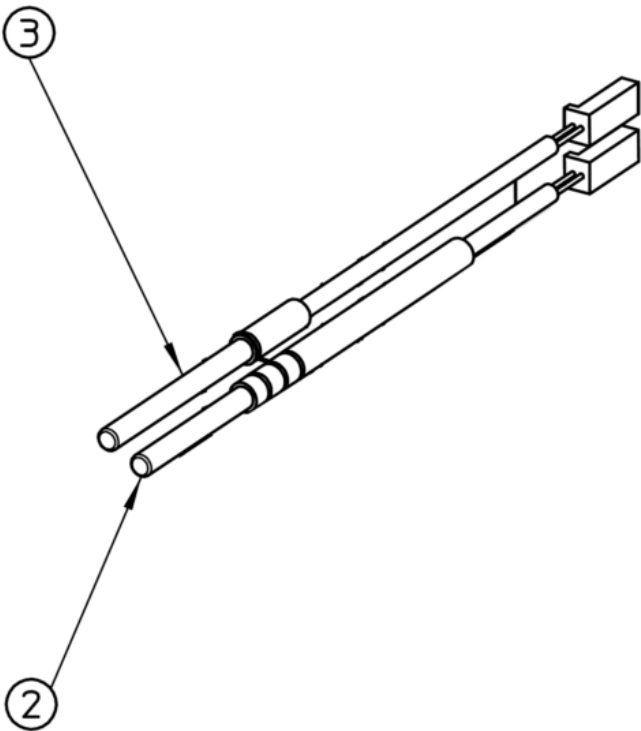
Ice-O-Matic®

Ice. Pure and Simple™

WATER SYSTEM



Pos	Code	Description	Price (€)
0001	SC660993-00	FITTING	
0002	SC610148-10	TUBE	
0003	SC660219-02	DRAIN FITTING	
0004	SC640134-00	O RING	
0005	SC660211-01	DRAIN FILTER	
0006	SC660535-00	PLASTIC NUT	
0007	SC650105-59	WATER INLET VALVE	
0008	SC660558-00R	SPRAY NOZZLE (10 PCS)	
0009	SC660557-00	SPRAY CUP	
0010	SC661082-00	SPRAY BAR & CHUTE	
0011	SC640041-31	O RING OR 2031 (WRAS-FDA)	
0012	SC793172-00R	WATER INLET ASSY	
0013	SC620433-12	WATER PUMP 115V/60HZ/1PH (30W)	
0014	SC724485-00	METAL BRACKET	
0015	SC610204-01	WATER TUBE	
0016	SC281900-01	TUBE 16X10	
0017	SC610204-00	TUBE	



Pos	Code	Description	Price (€)
0002	SC620519-01	EVAPORATOR SENSOR	
0003	SC620519-04	CONDENSER SENSOR	
0004	SC620620-02	POWER PCB ATEX	