

Project:



Scan for more info!

Owners Manual
Quick Install
Quick Sizing
Install Layout
Parts List

CR-24FC High Capacity Water Filter System



Compact size fits under the counter

Removes the bad tastes, odors, colors and particles as small as 1/2 micron, while retaining the good minerals that are essential for bottle quality tasting water

Specifications

- System features two 4FC Cartridges:
 - Advanced Fibredyne technology
 - Quick Change sanitary cartridge
 - Recyclable
 - High Capacity, Extended filter life
- Manifold features water shut-off, flushing valve and water pressure gauge
- Certifications: NSF 42 Class I and NSF 53
- Inlet Connection: 3/4"
- Outlet Connection: 3/4"
- Flow Rate: 5 GPM
- Rated Capacity: 30,000 Gallons
- Pressure Requirements: 35-125 psi
- No Electrical connection
- 16.60"W x 5.5"D x 19.25"H

System Tested and Certified by NSF International against NSF/ANSI Standard 42 and 53 for the reduction of:

Std. No. 42 -

Aesthetic effects

Bacteriostatic Effects

Chemical Reduction

Taste & Odor

Chlorine

Mechanical Filtration

Nominal Particulate Class I

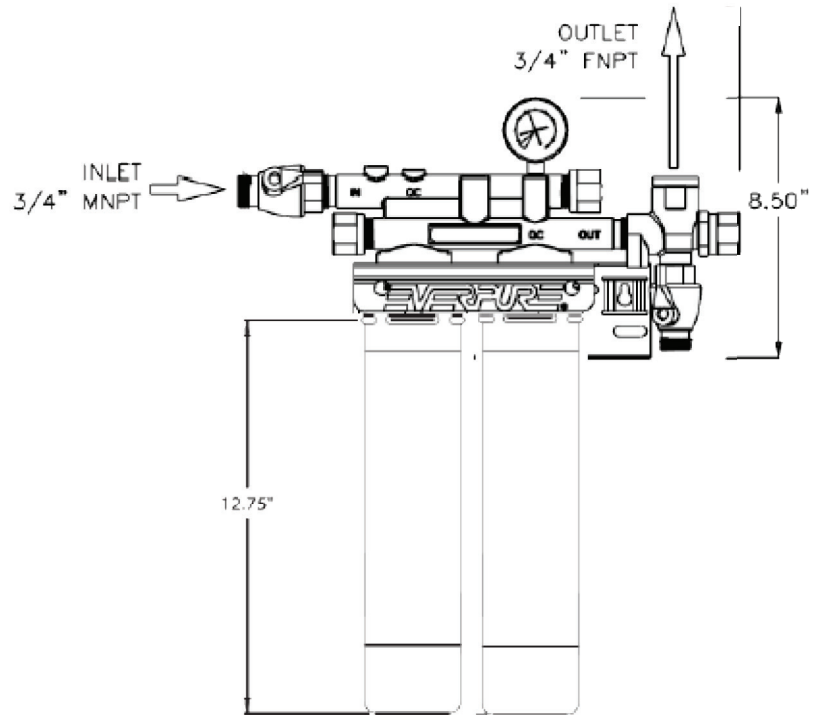
Std. No. 53 -

Health effects

Mechanical Filtration

Turbidity

Cyst



Features & Benefits:

- Increased capacity for extended reduction of chemical and mechanical contaminants
- Balanced cartridge for optimum performance in varying water qualities
- New Fibredyne II media with AglON antimicrobial protection inhibits any potential bacterial growth
- Reduces chlorine taste and odor and other offensive contaminants that can adversely affect the taste of beverages
- Improves the taste of fountain beverages and helps retain the drink's carbonation
- Submicron technology reduces dirt and particles as small as 1/2 micron in size, and reduces health contaminants such as Cryptosporidium and Giardia cysts
- Protects drink system seals, pump, tubing and small orifices from clogging, corrosion and abrasive wear
- Sanitary cartridge replacement is simple, quick and clean. Internal filter parts are never exposed to handling or contamination
- NSF Certified under NSF/ANSI standards 42 and 53



NSF Certified under NSF/ANSI Standard 18

