

Project:



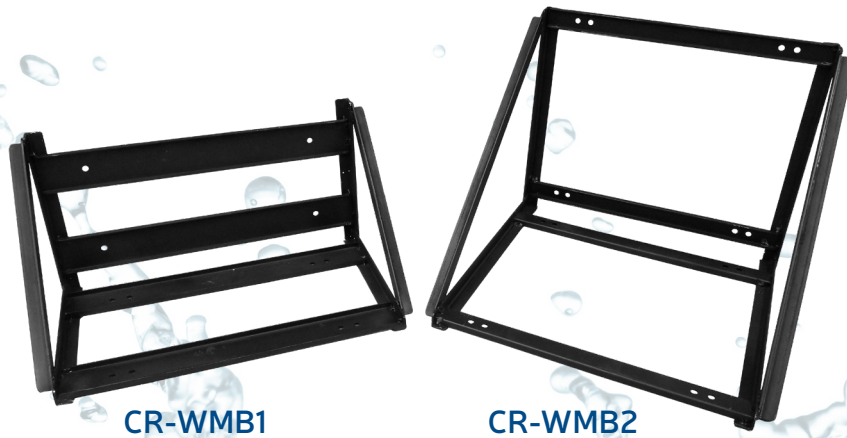
Scan for more info!

Owners Manual
Quick Install
Quick Sizing
Install Layout
Parts List

CR-WMB1

CR-WMB2

Wall Mount Bracket



CR-WMB1

CR-WMB2

Specifications

For use with remote models:

- CR-WMB1: for CR-UCM1 & CR-UCW
- CR-WMB2: for all CR-UCM2 series configurations.

Upward Cantilever Brackets for tighter, cleaner fit on wall



CR-WMB1 pairs with:
CR-UCM1
CR-UCW

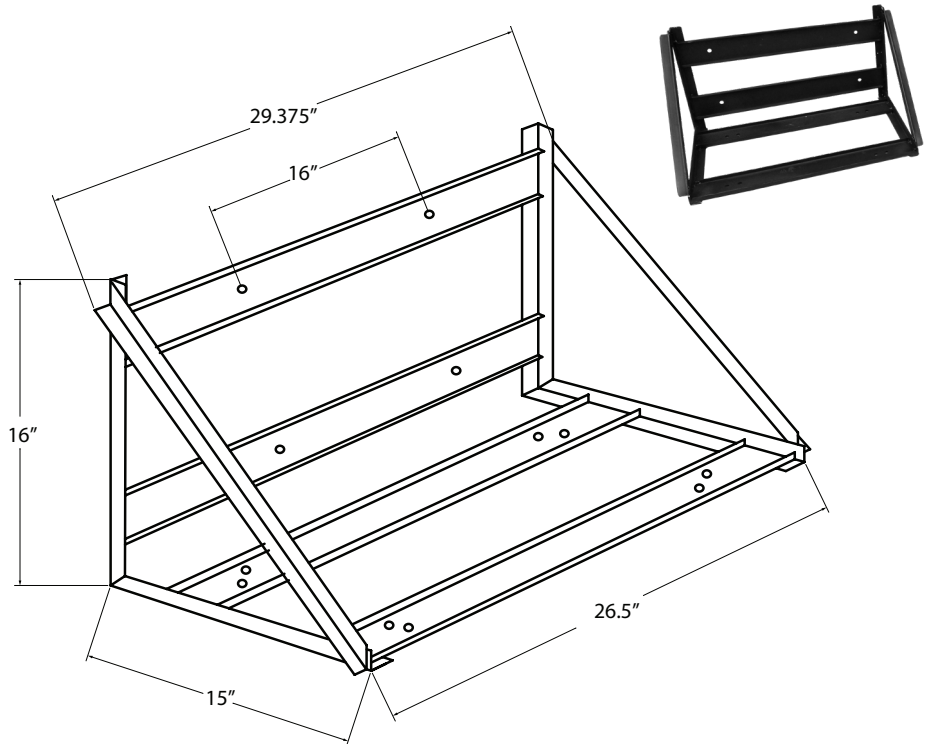


CR-WMB2 pairs with:
CR-UCM2
CR-UCM2-S0096
CR-UCM2-2CL
CR-UCM2-SW2

□ CR-WMB1

With the legs removed off the CR-UCM1, it will sit on top of the rack and is bolted from the bottom up through the leg bracket holes with 5/16-18 1" bolts. WMB1 should be mounted to a wall with appropriate backing and bracing anchors to support the full weight of the CR-UCM1. Allow for 8" of clearance above unit to access water bath.

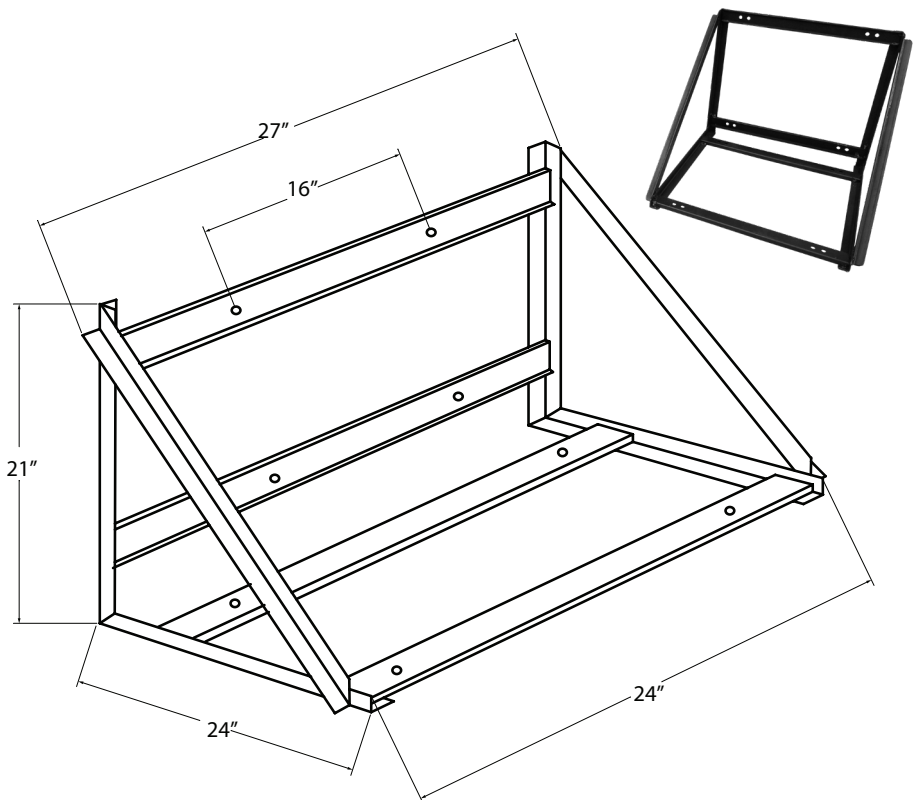
*Can also be used with:
CR-UCW



□ CR-WMB2

With the legs removed off the CR-UCM2, it will sit on top of the rack and is bolted from the bottom up through the leg bracket holes with 5/16-18 1" bolts. WMB2 should be mounted to a wall with appropriate backing and bracing anchors to support the full weight of the CR-UCM2. Allow for 8" of clearance above unit to access water bath.

*Can also be used with:
CR-UCM2-S0096
CR-UCM2-2CL
CR-UCM2-SW2



Revit, CAD & 3D CAD files available on all models

