



# TransferValve

Flojet's New Industrial Transfer Valve



## Designed for Bag-in-Box industrial applications.

The new Flojet transfer valve is constructed for various industrial applications where Bag-in-Box is the choice for dispensing harsh chemicals, foam, soap and cleaners. Typically used with air operated pumps (see back for air operated pumps), these valves can be fitted with various elastomers, and spring materials to fit your application. The housing is molded with Polypropylene plastic and features Flojet's quick disconnect fitting design for easy installation and a selection of barb sizes.

## Features and Benefits

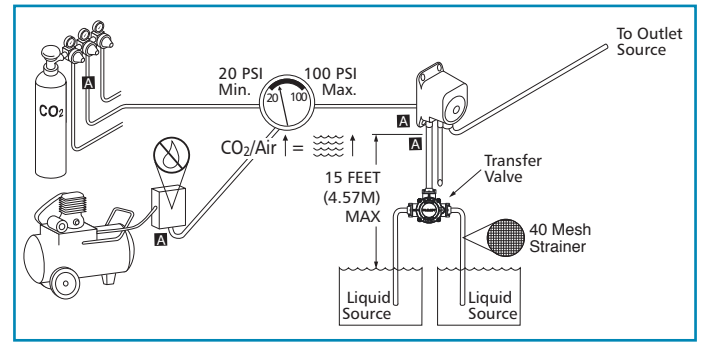
- Automatically switches from empty to full bag without interruption
- Can operate multiple banks of BIB horizontally.
- Label indicator to indicate which BIB is "on-line"
- Can be manually operated
- Quick connect fittings
- Vacuum operated snap action diaphragm
- 3/8" HB straight or elbow quick disconnect
- High altitude versions available

# TransferValve

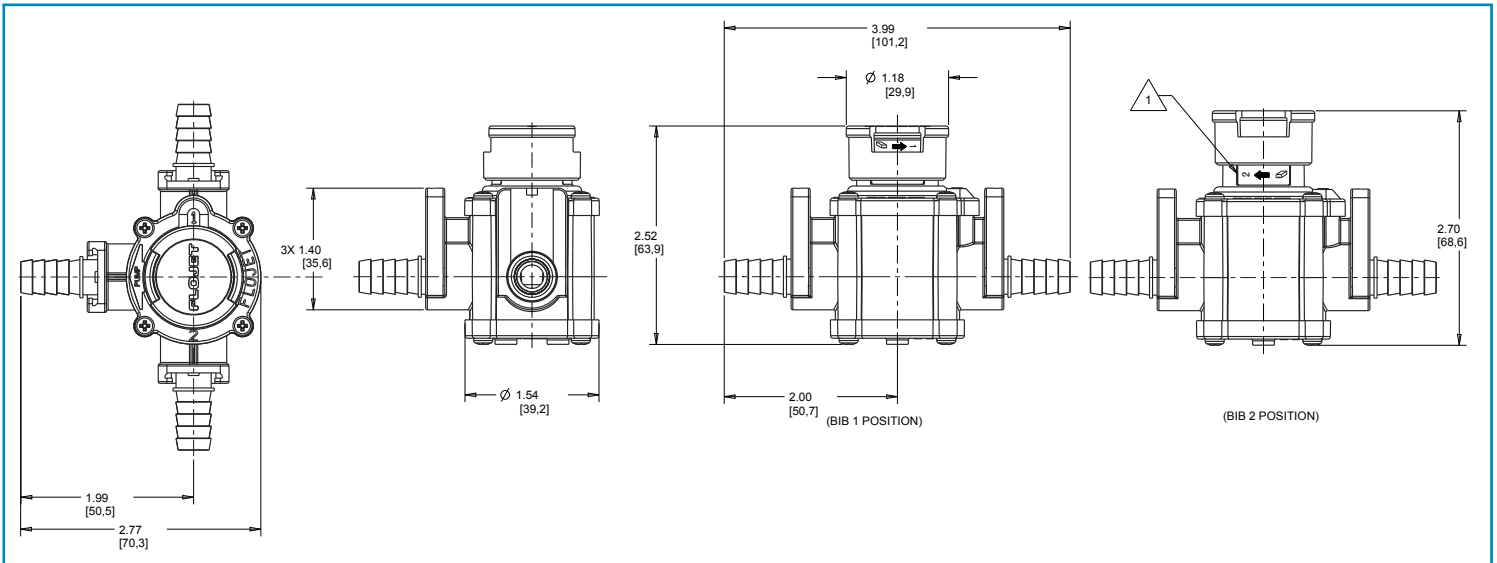
## Specifications

- Polypropylene housing for harsh chemicals
- EPDM or Viton elastomers
- Hastelloy or Stainless Steel Springs
- 16 +/- 2" vacuum
- 11-14" vacuum for high altitude installations
- 3/8" Hose barb straight (elbow optional)

## Typical Installation



## Dimensional Drawing



## Transfer Valve Models

MODEL #S	DESCRIPTION
01610230	PP, EPDM, Hast Spring
01610231	PP, EPDM, Hast Spring - High Altitude
01611230	PP, Viton, Hast Spring
01611231	PP, Viton, Hast Spring - High Altitude

## G57 Series Models

MODEL #S	DIAPHRAGM	CHECK VALVE	LIQUID FITTINGS IN. (mm)	AIR INLET	MAX OPEN FLOW GPM (LPM)
G573205	Viton	Polypropylene	3/8" HB ST (10/13mm)	1/4" HB Brass	5.0 (19.0)
G573215	Viton	Polypropylene	1/2" HB ST (12.7)	1/4" HB Brass	5.0 (19.0)
G575205	Santoprene	Polypropylene	3/8" HB ST (10/13mm)	1/4" HB Brass	5.0 (19.0)
G575215	Santoprene	Polypropylene	1/2" HB ST (12.7)	1/4" HB Brass	5.0 (19.0)
G57C202	Kalrez	Polypropylene	3/8" HB ST (10/13mm)	1/4" HB Brass	5.0 (19.0)
G57C212	Kalrez	Polypropylene	1/2" HB ST (12.7)	1/4" HB Brass	5.0 (19.0)

**xylem**  
Let's Solve Water

Xylem, Inc.  
USA  
17942 Cowan  
Irvine, CA 92614  
Tel +1.949.608.3900  
Fax +1.949.608.3886

Xylem, Inc.  
ENGLAND  
Bingley Road, Hoddesdon  
Hertfordshire EN11 OBU  
Tel: +44 (0) 1992 450145  
Fax: +44 (0) 1992 467132

Xylem, Inc.  
CHINA  
30/F Tower A  
100 Zunyi Road  
Shanghai, China 200051  
Tel: +86-21-2208-2888  
Fax: +86-21-2208-2999

Xylem, Inc.  
GERMANY  
Oststrasse 28  
22844 Norderstedt  
Tel: +49-40-53 53 73-0  
Fax: +49-40-53 53 73-11

Xylem, Inc.  
ITALY  
Via Tommaseo, 6  
20059 Vimercate, Milano  
Tel: +39 039 685 2323  
Fax: +39 039 666 307