

□ 7" Single Valve □ 7" Two Valve □ 18" Five Valve □ 23" Six Valve

23" Six Valve



Lancer's **Tower 300 Series** are designed using the highest quality materials and proven technology providing our customers with consistent drink quality.

Features

- Stainless steel construction exterior and interior
- Available in multiple valve configurations
- Electrical for all units: 24V/60Hz
- LEV® valves standard, other valves available upon request
- Key lock switch
- Power supply included

Accessories and Options

Merchandiser

Lighted Marquee

Certified by these agencies:



CUSTOMER SERVICE

Should you require more information about our products, please do not hesitate to contact our customer service team at custserv@lancerworldwide.com.



WARRANTY

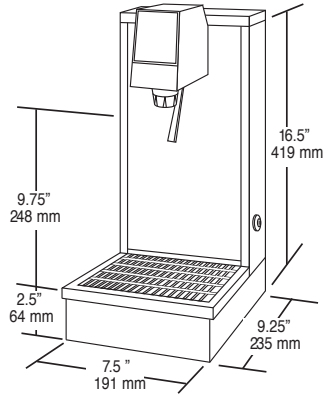
For warranty specifics by product, contact your Lancer Sales Representative. Equipment design and/or specifications are subject to change without notice.

Tower 300 Series Stainless Steel Dispensing Towers

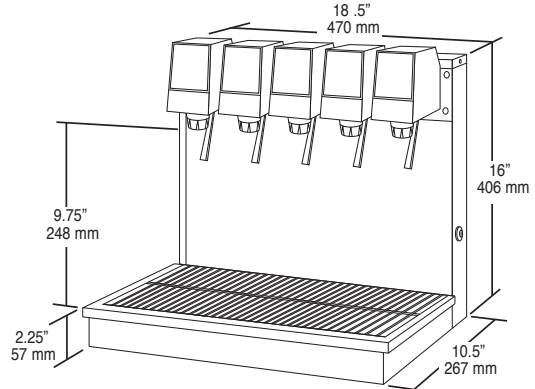
For more Information visit lancerworldwide.com or call 1-888-846-6729

□ 7" Single Valve □ 7" Two Valve □ 18" Five Valve □ 23" Six Valve

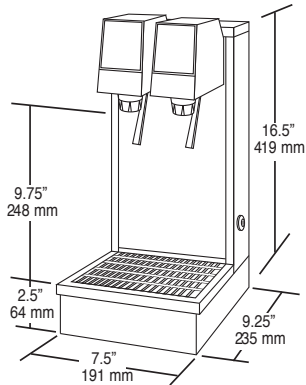
7" Single Valve



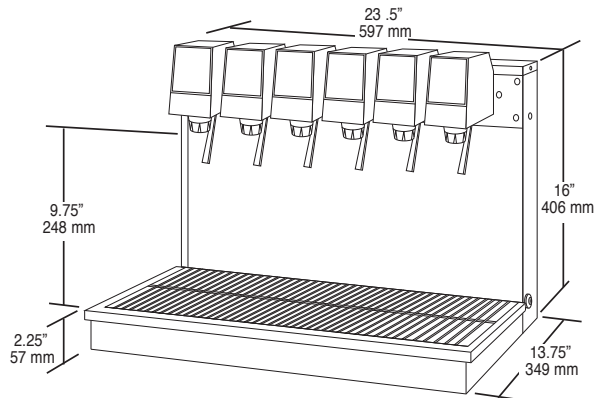
18" Five Valve



7" Two Valve



23" Six Valve



Dimensions

- 7" (1 or 2 valves) - 16.5" H x 7.5" W x 9.25" D including drip tray
(419 mm H x 191 mm W x 235 mm D including drip tray)
- 18" (5 valves) - 16" H x 18.5" W x 10.5" D including drip tray
(406 mm H x 470 mm W x 267 mm D including drip tray)
- 23" (6 valves) - 16" H x 23.5" W x 13.75" D including drip tray
(406 mm H x 597 mm W x 349 mm D including drip tray)

Weight

- 7" (1 or 2 valves) - Shipping: 15 lbs (7 kg)
- 18" (5 valves) - Shipping: 37 lbs (17 kg)
- 23" (6 valves) - Shipping: 42 lbs (19 kg)

For more Information visit lancerworldwide.com or call 1-888-846-6729