

□ TwinPour 44

TwinPour® Cold Carbonation Ice Beverage Dispenser



Two-time International award-winning **Twin Pour®** features dual touch screens, along with two versatile ice dispensers and a programmable and wifi enabled LCD video merchandiser. With up to 266 flavor combinations, including carbonated and non-carbonated, and our proprietary FluidicFlow™ dispensing technology ensures there is no flavor transfer, for the perfect drink every time.

## Features

- Now with Lancer Link™
- Up to 266 flavor combinations, including carbonated and non-carbonated water
- Serve two customers at once
- Two 7" LED touch screens
- Two versatile ice dispense points for all ice types; including chewable ice
- Built in redundancy ensures maximum uptime
- Programmable and WIFI enabled LCD merchandiser
- Programmable LED target lighting
- LFCV 4.0 oz. (multi flavor)
- 2 Key lock switches
- Pump Deck and Ice Adaptor included



## Accessories and Options

LCD Merchandiser Kit  
 Extended Splash Plate  
 Dual Ice Divider

Certified by these agencies:



### CUSTOMER SERVICE

Should you require more information about our products, please do not hesitate to contact our customer service team at [custserv@lancerworldwide.com](mailto:custserv@lancerworldwide.com).



### WARRANTY

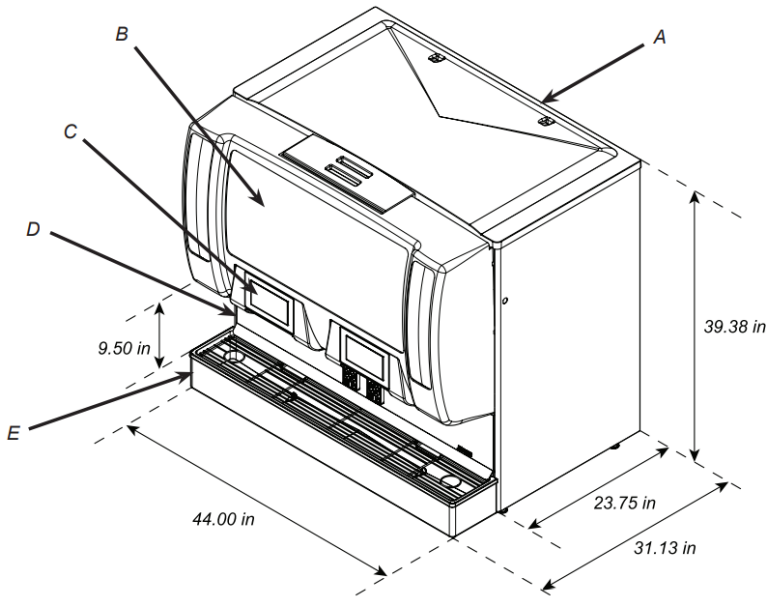
For warranty specifics by product, contact your Lancer Sales Representative. Equipment design and/or specifications are subject to change without notice.

For more information visit [lancerworldwide.com](http://lancerworldwide.com) or call 1-800-729-1500

6655 Lancer Boulevard • San Antonio, TX 78219 • 210-310-7000 • Fax: 210-310-7250 • © 2021 Lancer™ Worldwide • TwinPour® 05/23

□ TwinPour 44

TwinPour® Cold Carbonation Ice Beverage Dispenser



## Distinctive Design

- Cold Carbonation
- Pick off tubes
  - 1 plain water
  - 1 carbonated water

### Dimensions

Height: 39.375" (1000.1 mm)  
 Width: 44" (1117.6 mm)  
 Depth: 31" (787.4 mm)

### Space Required

Width: 46" (1168.4 mm)  
 Depth: 40" (1016 mm)  
 Height: Allow sufficient clearance for manually filling with ice or refer to ice maker recommendation for top clearance.

### Electrical

115V/60Hz, 6Amps  
 220-240V, 50/60 Hz, 3Amps

### Weight

With Ice: 745 lbs (337.9 kg)  
 Shipping: 585 lbs (265 kg)

### Ice

Capacity: 312 lbs (142 kg)  
 Dispensable: 255 lbs (116 kg)  
 Accepts 30" and 22" and 44" wide ice makers (adapters may be required)

### Fittings

Soda Inlets: 3/8" (9.5mm) male barb  
 Syrup Inlets: 3/8" (9.5mm) male barb

### Flex Manifold Configuration

Total carb / non carb flexibility  
 Up to 24 brands  
 (10 chilled / 2 ambient per nozzle)  
 Up to 8 bonus Flavors (4 per nozzle)

For more information visit [lancerworldwide.com](http://lancerworldwide.com) or call 1-800-729-1500

6655 Lancer Boulevard • San Antonio, TX 78219 • 210-310-7000 • Fax: 210-310-7250 • © 2021 Lancer™ Worldwide • TwinPour® 05/23

"Lancer" and "Lancer Worldwide" are trademarks of Lancer Corp. © 2021 by Lancer™, all rights reserved.