

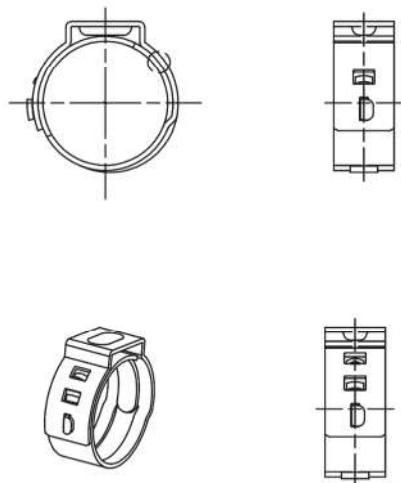
# EAR CLAMP



## SAE 1010/1020

NOMINAL DIAMETER	Minimum Diameter (mm)	Width (mm)	Thickness (mm)
28.6	25.4	7.0	0.8
33.0	27.3	7.0	0.8
31.6	28.4	7.0	0.8
34.6	31.4	7.0	0.8
47.0	43.8	7.0	0.8
53.0	49.8	7.0	0.8
55.5	52.3	7.0	0.8
61.5	58.3	7.0	0.8
65.0	62.3	7.0	0.8
90.5	87.3	7.0	0.8

OTHERS SIZES AVAILABLE UPON REQUEST



NOMINAL DIAMETER	Minimum Diameter (mm)	Width (mm)	Thickness (mm)
7.0	5.8	5.0	0.5
8.0	6.8	5.0	0.5
8.7	7.0	5.0	0.5
9.0	7.3	5.0	0.5
9.5	7.8	5.0	0.5
1.0	8.3	5.0	0.5
10.5	8.8	5.0	0.5
10.9	9.2	5.0	0.5
11.3	9.6	5.0	0.5
11.8	10.1	5.0	0.5
11.9	9.4	7.0	0.6
12.3	9.8	7.0	0.6
12.8	10.3	7.0	0.6
13.3	10.8	7.0	0.6
13.8	11.3	7.0	0.6
14.0	11.5	7.0	0.6
14.5	12.0	7.0	0.6
14.8	12.3	7.0	0.6
15.3	12.8	7.0	0.6
15.7	13.2	7.0	0.6
16.2	13.7	7.0	0.6
16.6	14.1	7.0	0.6
17.0	14.5	7.0	0.6
17.5	15.0	7.0	0.6
18.0	14.8	7.0	0.6
18.5	15.3	7.0	0.6
19.2	16.0	7.0	0.6
19.8	16.6	7.0	0.6
21.0	17.8	7.0	0.6
21.0	17.8	10.0	0.8
22.6	19.4	7.0	0.6
24.1	20.9	7.0	0.6
25.6	22.4	7.0	0.6
27.1	23.9	7.0	0.6
28.0	24.8	10.0	0.8
28.5	25.3	10.0	0.8
28.6	25.4	7.0	0.6
30.1	26.9	7.0	0.6
31.6	28.4	7.0	0.6
33.1	29.9	7.0	0.6
33.7	30.5	10.0	0.8
34.5	31.3	10.0	0.8
35.4	32.2	10.0	0.8
37.6	34.4	7.0	0.6
42.5	39.3	10.0	0.8
42.5	39.3	7.0	0.6
45.5	42.3	7.0	0.6
52.0	48.8	10.0	0.8
53.0	49.8	7.0	0.6
58.5	55.3	7.0	0.6
61.3	58.1	7.0	0.6
62.5	59.3	9.0	0.6
66.5	63.3	7.0	0.6
80.0	76.8	10.0	1.0
87.0	83.8	10.0	1.0
90.5	87.3	7.0	0.6
90.6	87.4	10.0	1.0
93.9	90.7	10.0	1.0
97.9	94.7	10.0	1.0

OTHERS SIZES AVAILABLE UPON REQUEST