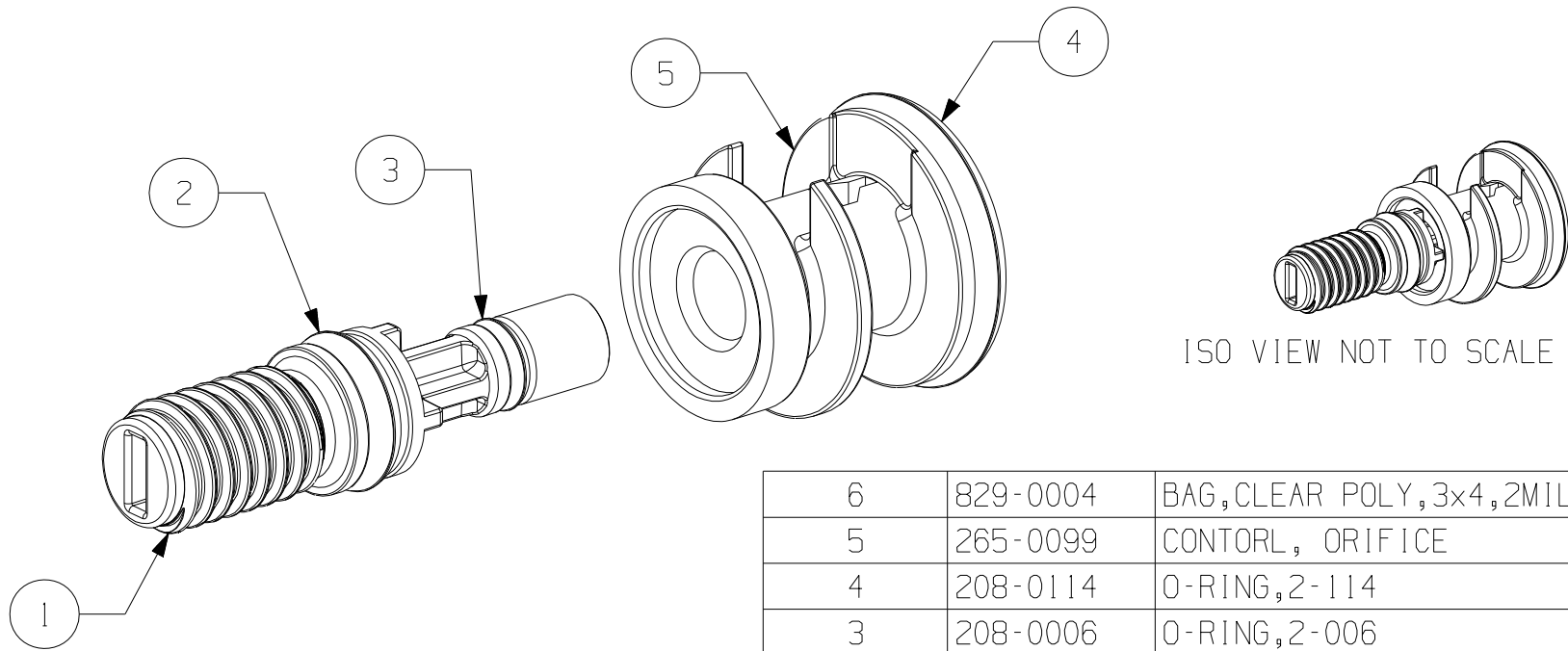


REVISIONS

ECN	REV	DESCRIPTION	DATE	BY
0239	00	RELEASE	3-29-08	DA
0578	01	ADD "ORIFICE" TO DESCRIPTION	4-15-09	DA



6	829-0004	BAG,CLEAR POLY,3x4,2MIL	1
5	265-0099	CONTORL, ORIFICE	1
4	208-0114	O-RING,2-114	1
3	208-0006	O-RING,2-006	1
2	208-0108	O-RING,2-108	1
1	265-0070	PLUG,ADJUST	1
ITEM NO.	PART NO.	DESCRIPTION	QTY

DIMENSIONS & TOLERANCING IN ACCORDANCE WITH ASME Y14.5M-1994  
 TOLERANCES (UNLESS OTHERWISE SPECIFIED):  
 DECIMAL: X.XX: ±.01  
 X.XXX: ±.005  
 X.XXXX: ±.0005

ANGLES: ±1°  
 SURFACES:  
 X  
 X  
 X  
 X

UNSPECIFIED FILLET/RADII:  
 BREAK EDGES: .015 MAX  
 FILLET RADII: .015 MAX

DIMENSIONS ARE IN INCHES  
 DO NOT SCALE DRAWING

DRAWN BY: DA  
 DATE: 3-28-08  
 CHECKED BY:  
 DATE:  
 CHECKED BY:  
 DATE:



KIT, MECHANICAL ORIFICE CONTROL, BARGUN

SIZE A	REF. PART NO:	PART NO: 675-0005	P/M M	REV 01
SCALE 2/1	SHEET 1 of 1			

THE MATERIALS AND INFORMATION INCLUDING THE PRINCIPLES OF DESIGN, PRESENTED BY THIS DRAWING ARE THE PROPERTY OF SCHROEDER AMERICA AND ARE CONFIDENTIAL INFORMATION. ACCORDINGLY, THIS INFORMATION IS SUBJECT TO A NON-DISCLOSURE AGREEMENT. ANY REPRODUCTION, COPIED OR LOANED, IN PART OR WHOLE, FOR ANY PURPOSE, WITHOUT THE WRITTEN PERMISSION OF SCHROEDER AMERICA, IS STRICTLY PROHIBITED. THIS DRAWING WILL BE CONSIDERED VOID WITHOUT THE SIGNATURE OF THE DRAWING ENGINEER.